

TAM TB

ASSEMBLING
INSTRUCTIONS

TAM TB

LIST OF CONTENTS

Screen TAM TB	2 Half parts 2 Connecting rods 8 screws (6 x 16) + lock washers
Subframe	2 Horizontal parts 6 Vertical parts 2 Temporary stiffenings 16 screws (self thread) 4 screws (6 x 16)
Flange	2 vertical parts + 16 screws (3,5 x 6)
Fabric	1 Enlightor 4K + 1 Black Backing
Tool	1 Spatula 1 Plastic sheet 1 Hex key
Accessories	2 PVC tubes 2 steel counterweight 2 vertical hidden parts + 8 screws (3,5 x 6)
Electronic	2 connecting boxes

What you need before you start

adhesive tape
pozidrive screwdriver

tape measures
spirit level

Advices

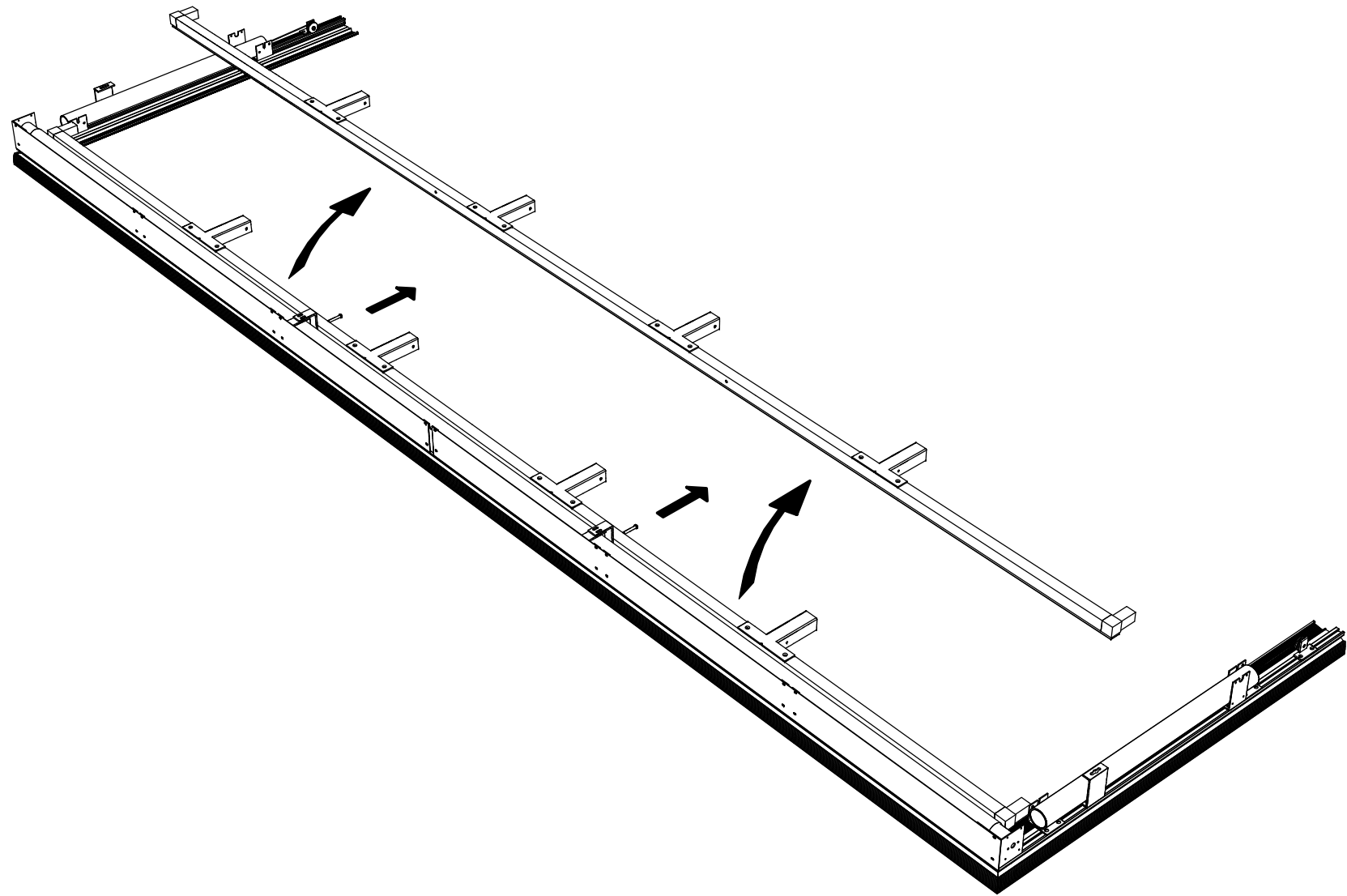
- 1-Make sure there are two of you. One single person cannot handle the whole installation.
- 2-Clear a space sufficiently larger than the external dimensions of the screen to allow moving around it
- 3-Lay the 2 crates on the floor, and unscrew the top panel of each as indicated
- 4-Open the crates and take all the components and sub-assemblies out, then remove the crates
- 5-Check parts list

respect the color code

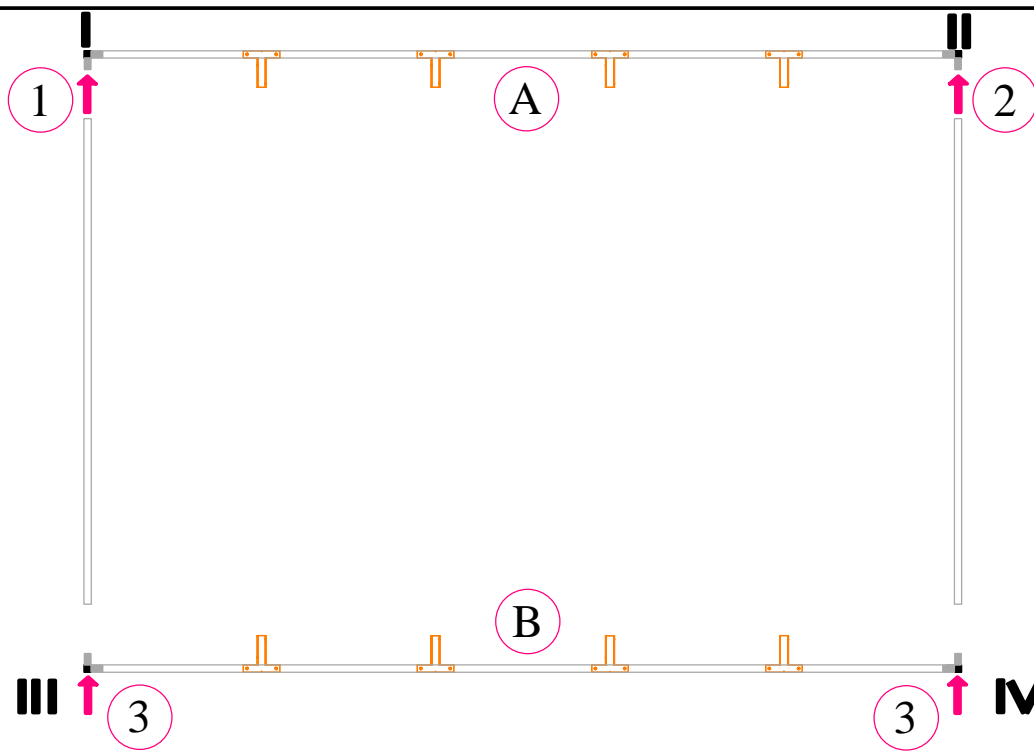
**WARNING ! DO NOT OPERATE THE MOTORS AND CURTAINS
WHEN THE SUBFRAME IS NOT FIXED TO THE MAINFRAME**

Determine the position of the wall screws (size ¼"). Refer to drawing. Install 4 wall screws at the

use the type of ankle adapts has the nature of the support



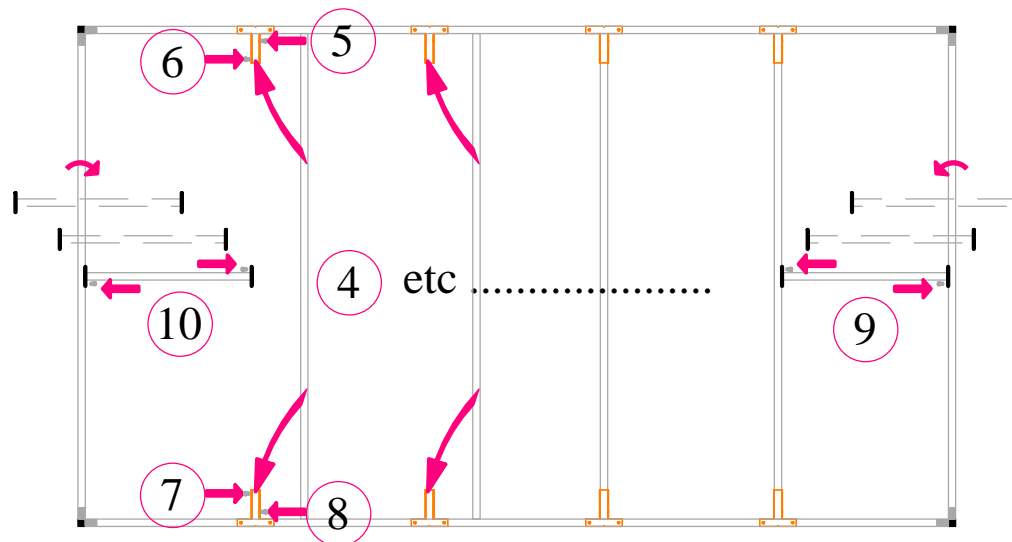
TAM TB SUBFRAME SET UP



- (A) are temporary mounted onto the mainframe during the shipment
- (B) are temporary mounted onto the mainframe during the shipment

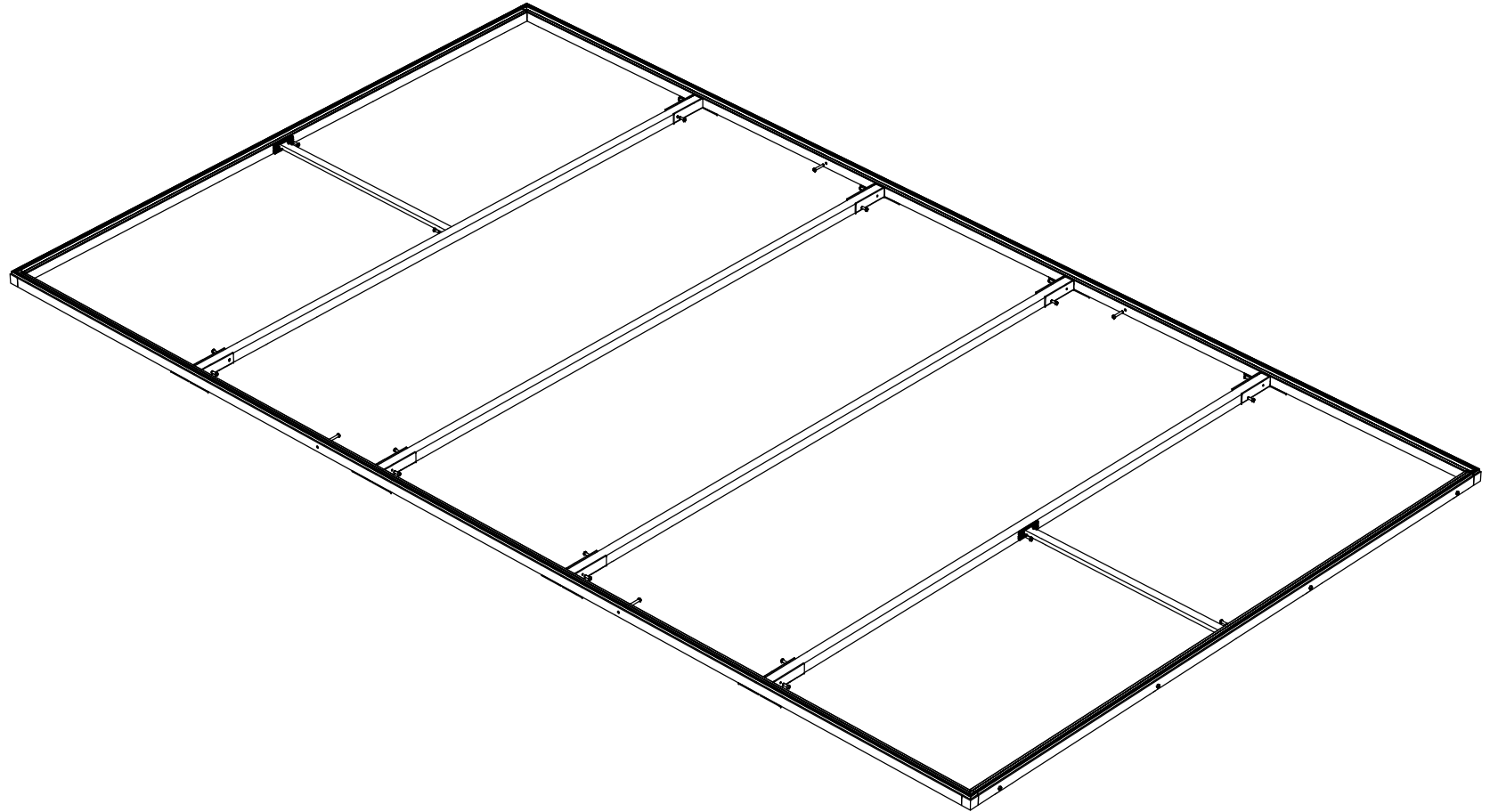
you have to unscrew the screws located on each rod/subframe bracket to take off the horizontal parts of the subframe

RESPECT THE COLOR CODE

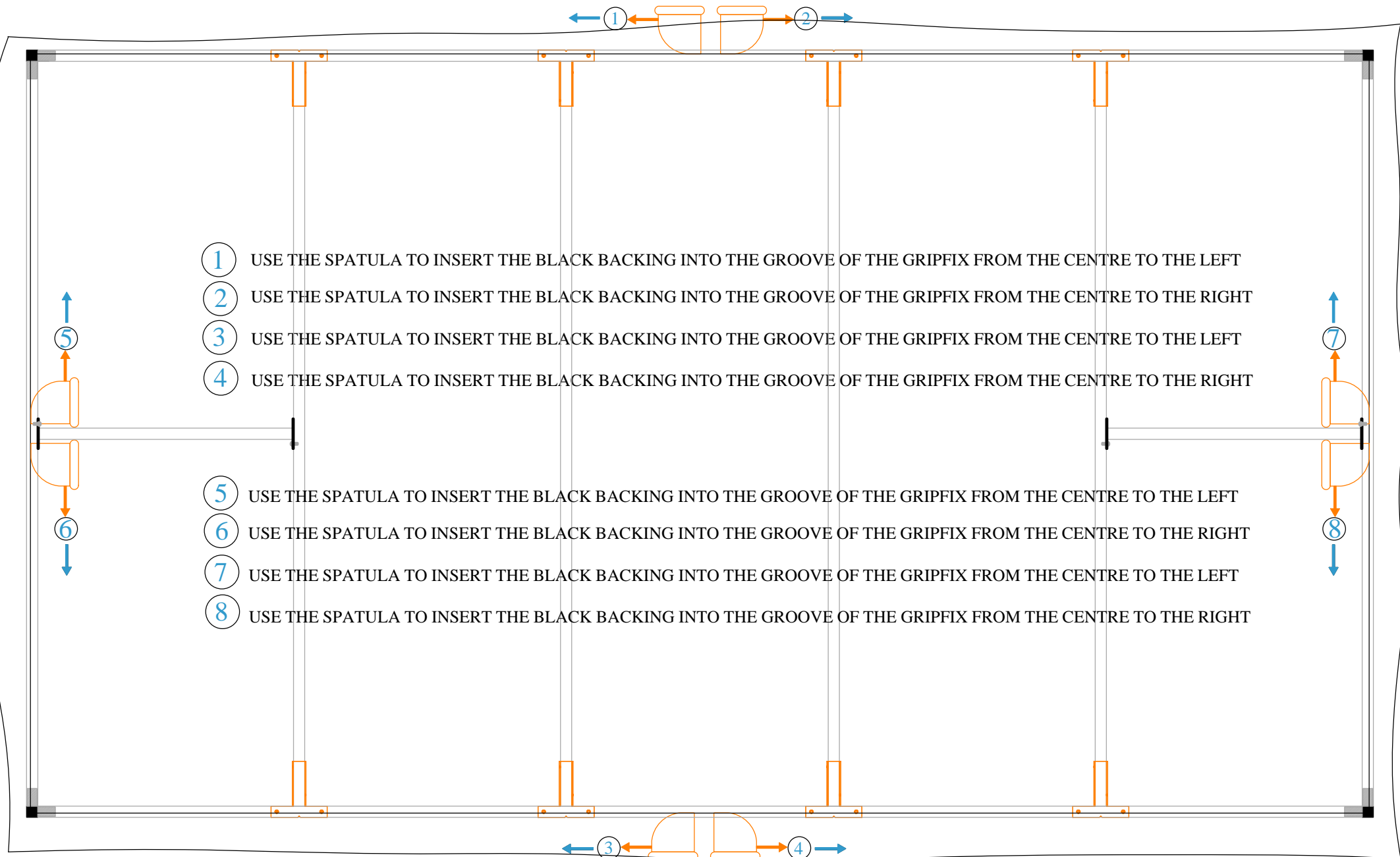


- (9) Install the temporary stiffening
- (10) Install the subframe

You will take off them only after you have inserted the black backing and the fabric and install the Subframe at the right place



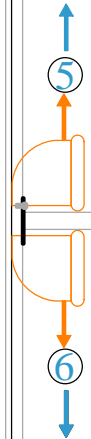
INSERT BLACK BACKING



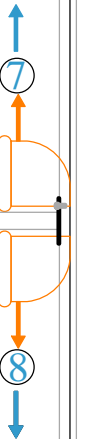
INSERT FABRIC



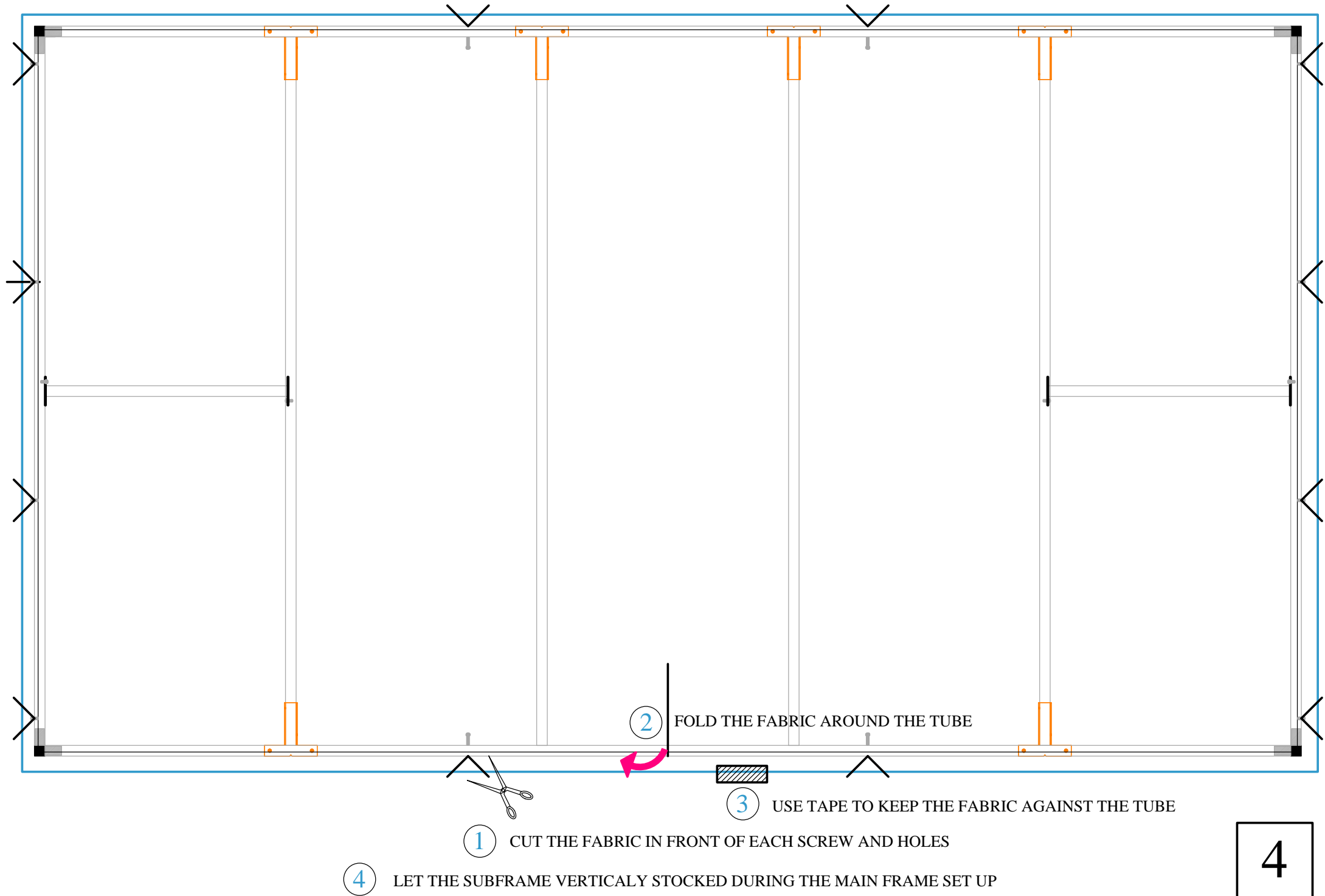
- ① USE THE SPATULA TO INSERT THE FABRIC INTO THE GROOVE OF THE GRIPFIX FROM THE CENTRE TO THE LEFT
- ② USE THE SPATULA TO INSERT THE FABRIC INTO THE GROOVE OF THE GRIPFIX FROM THE CENTRE TO THE RIGHT
- ③ USE THE SPATULA TO INSERT THE FABRIC INTO THE GROOVE OF THE GRIPFIX FROM THE CENTRE TO THE LEFT
- ④ USE THE SPATULA TO INSERT THE FABRIC INTO THE GROOVE OF THE GRIPFIX FROM THE CENTRE TO THE RIGHT



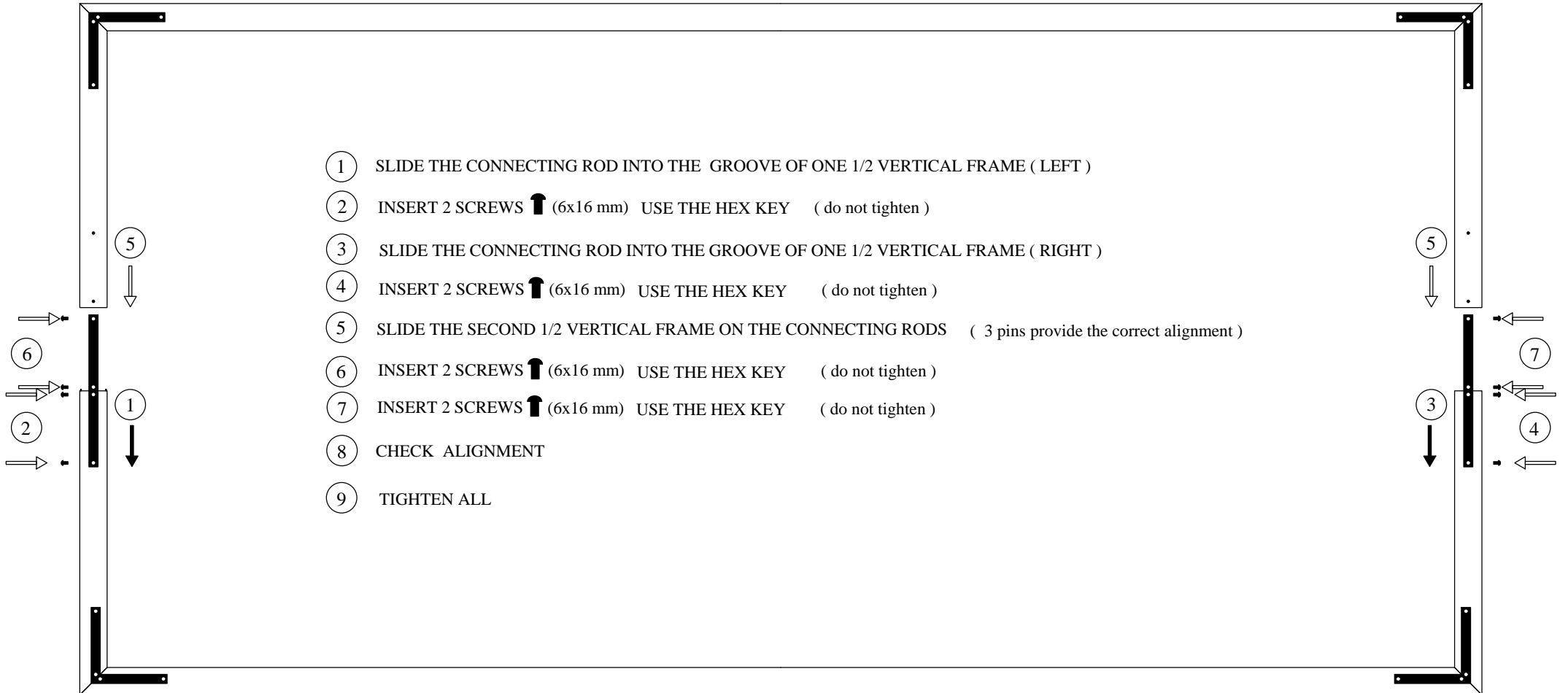
- ⑤ USE THE SPATULA TO INSERT THE FABRIC INTO THE GROOVE OF THE GRIPFIX FROM THE CENTRE TO THE LEFT
- ⑥ USE THE SPATULA TO INSERT THE FABRIC INTO THE GROOVE OF THE GRIPFIX FROM THE CENTRE TO THE RIGHT
- ⑦ USE THE SPATULA TO INSERT THE FABRIC INTO THE GROOVE OF THE GRIPFIX FROM THE CENTRE TO THE LEFT
- ⑧ USE THE SPATULA TO INSERT THE FABRIC INTO THE GROOVE OF THE GRIPFIX FROM THE CENTRE TO THE RIGHT

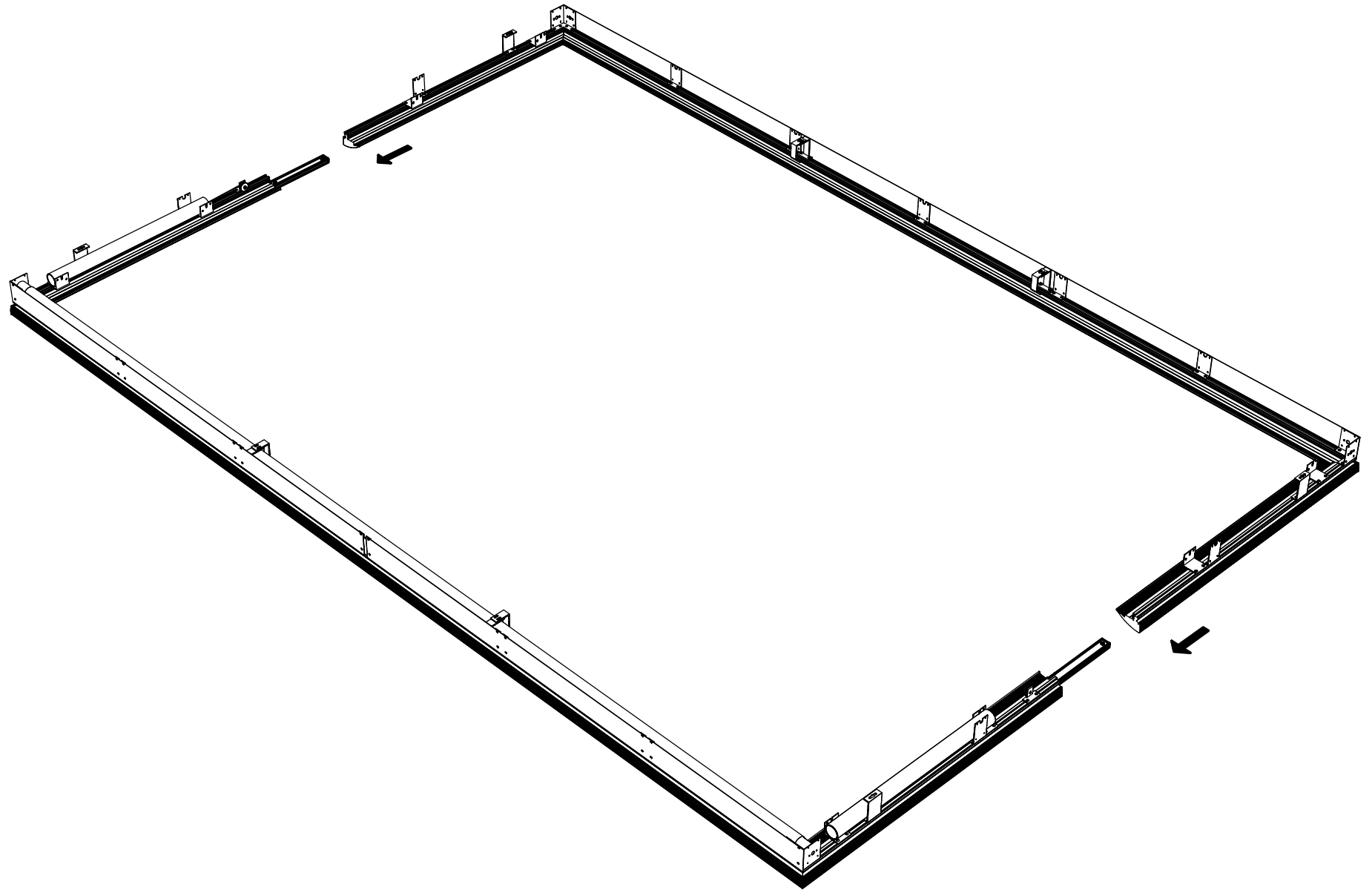


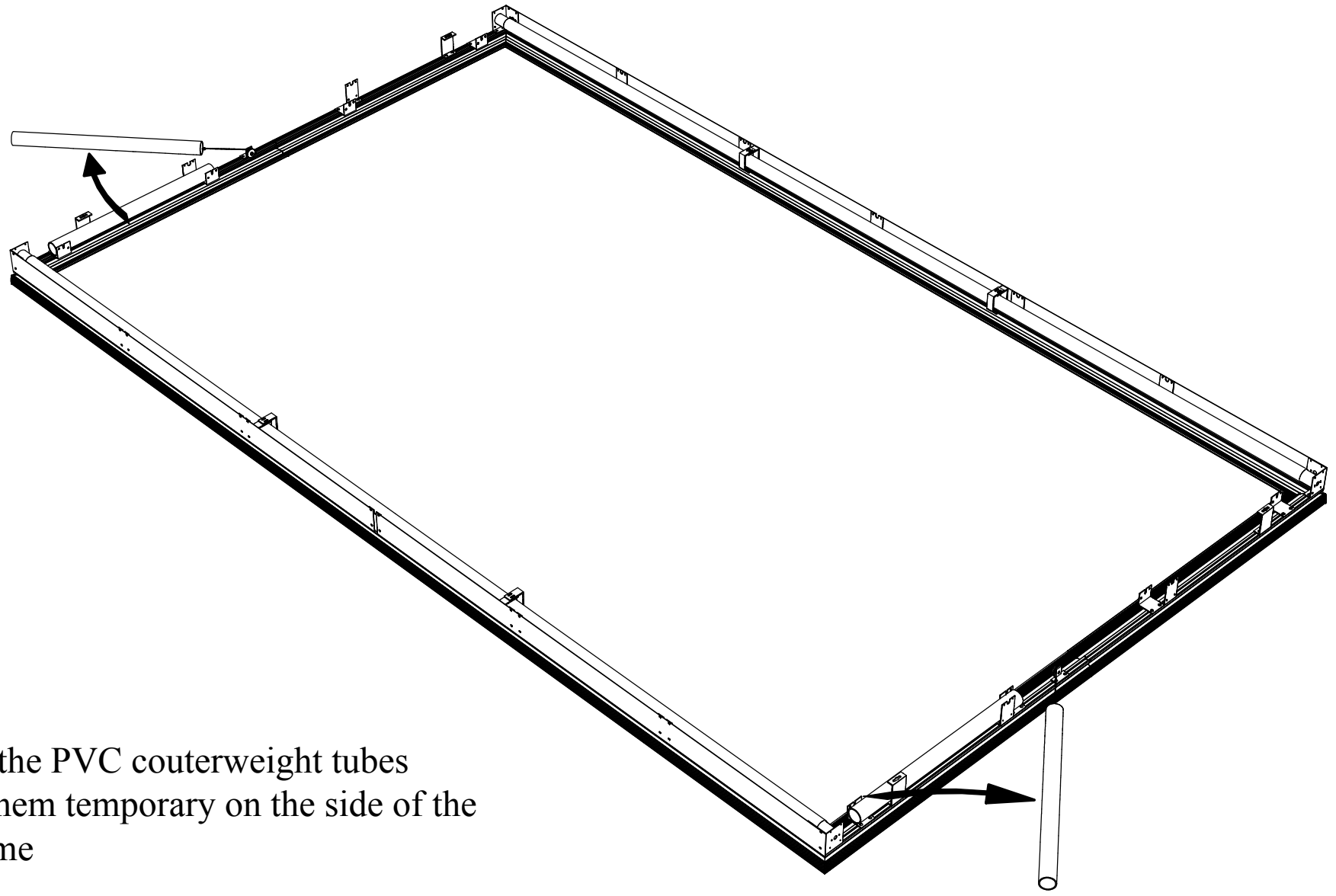
SUBFRAME FINITIONS



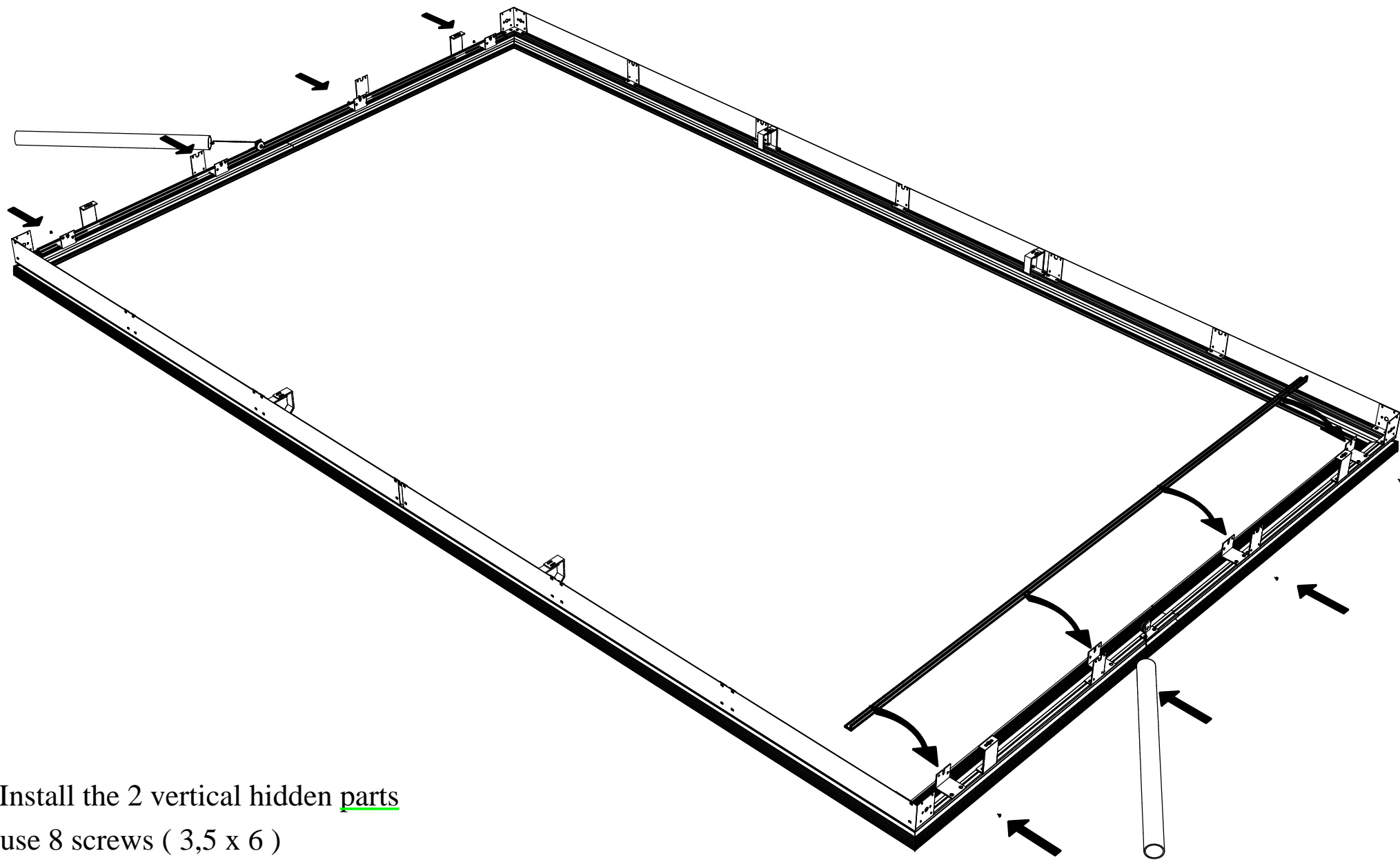
MAIN FRAME SET UP



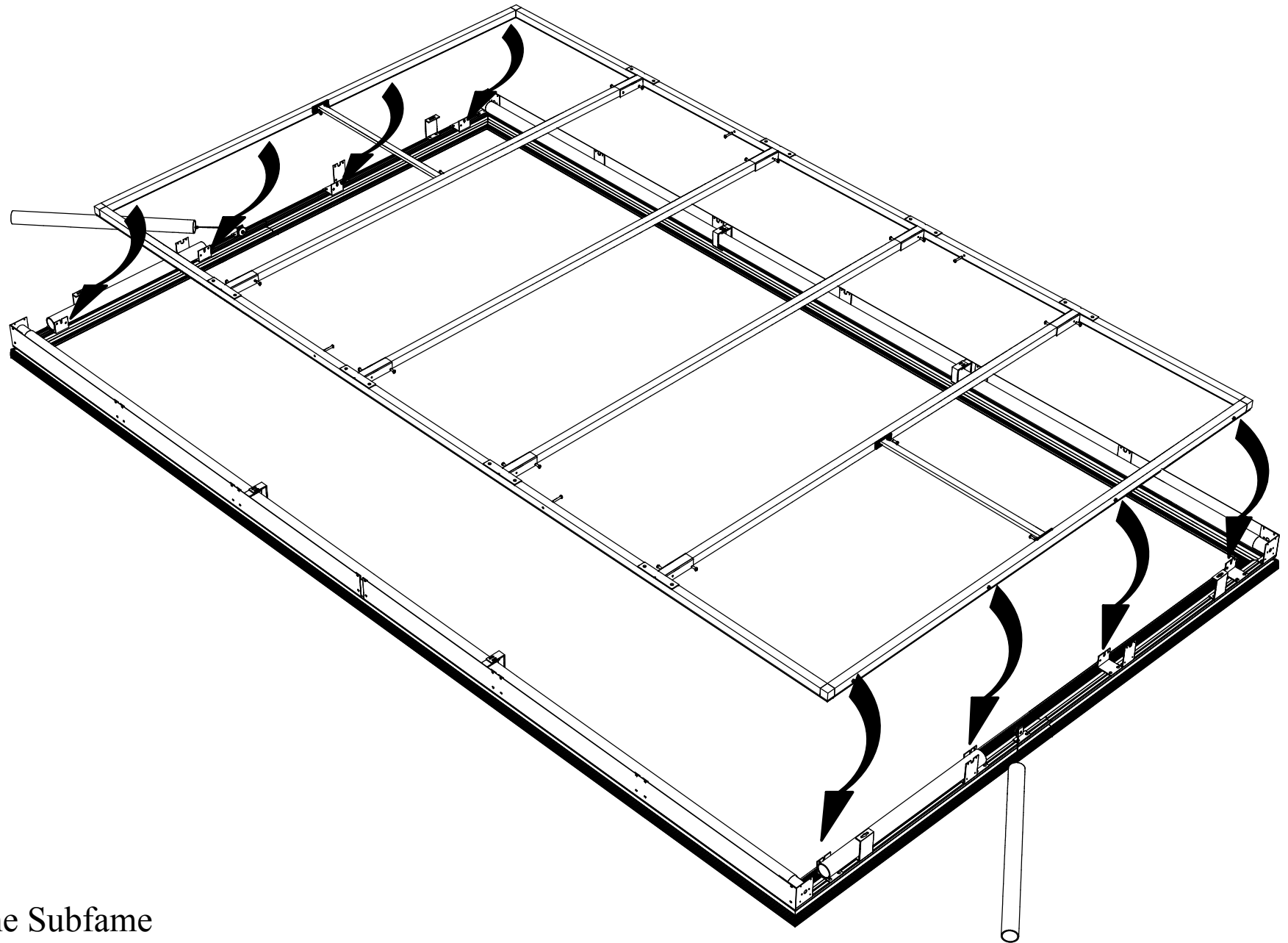




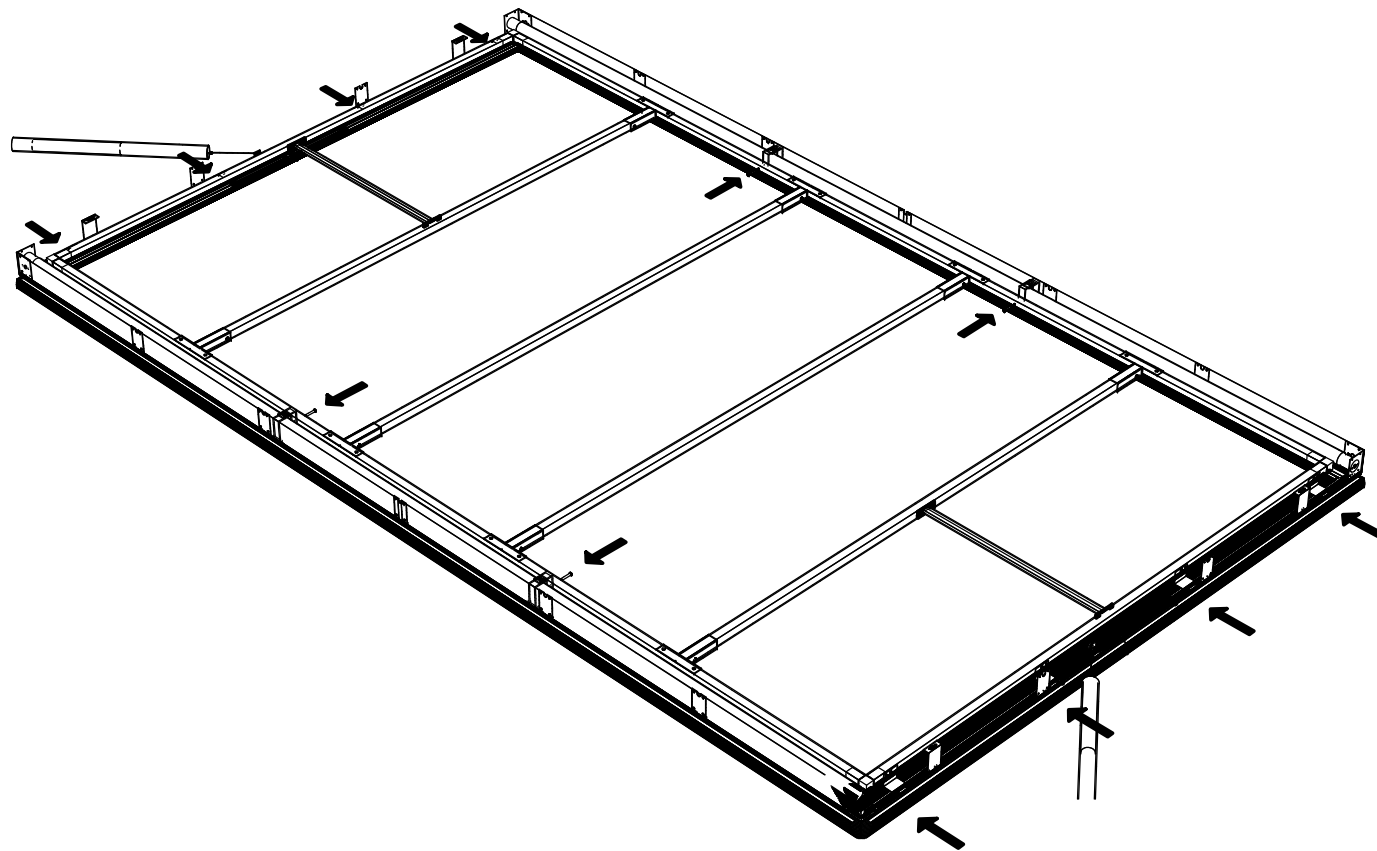
take off the PVC counterweight tubes
and let them temporary on the side of the
mainframe



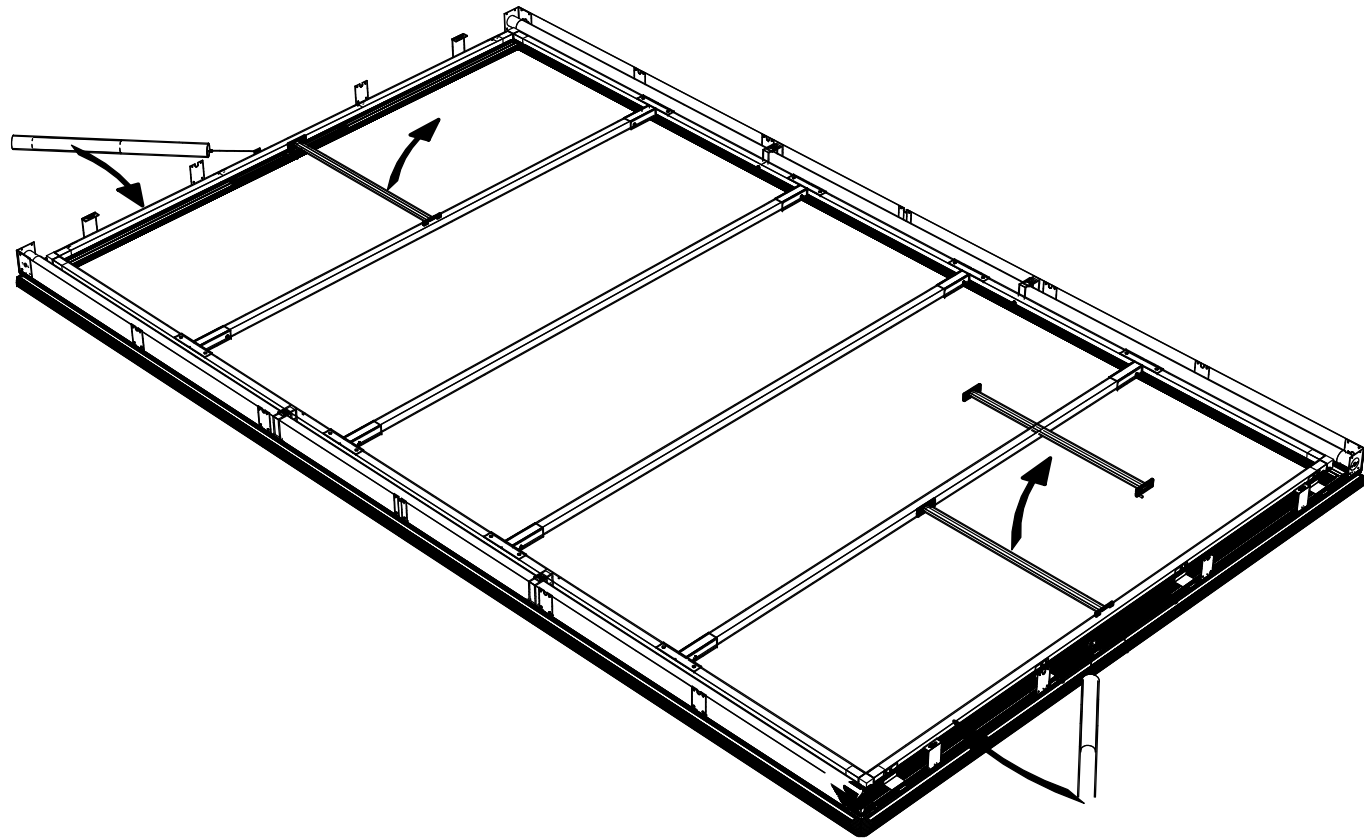
Install the 2 vertical hidden parts
use 8 screws (3,5 x 6)
respect the color code



install the Subfame



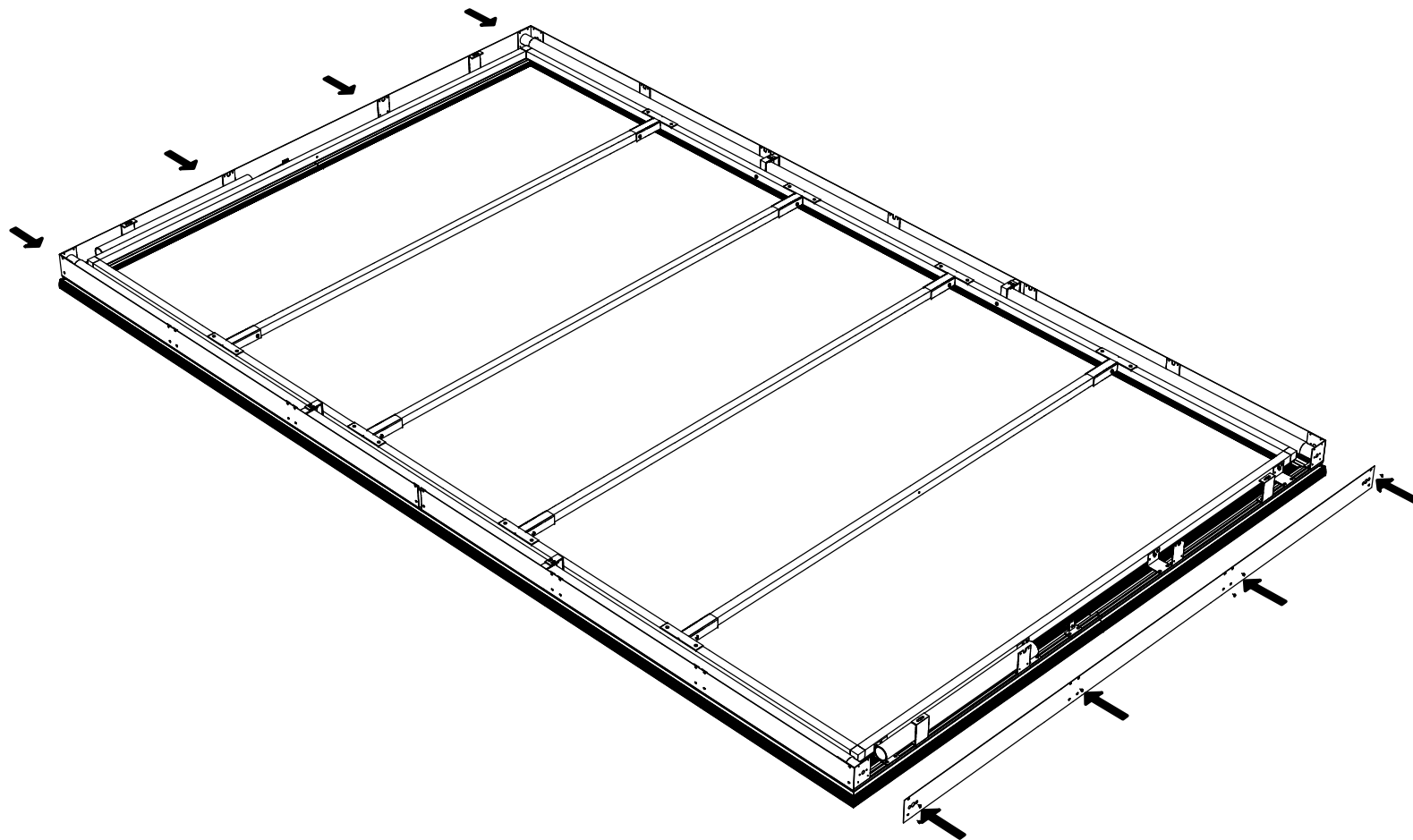
When the subframe is at the right place, tight each screw (12)



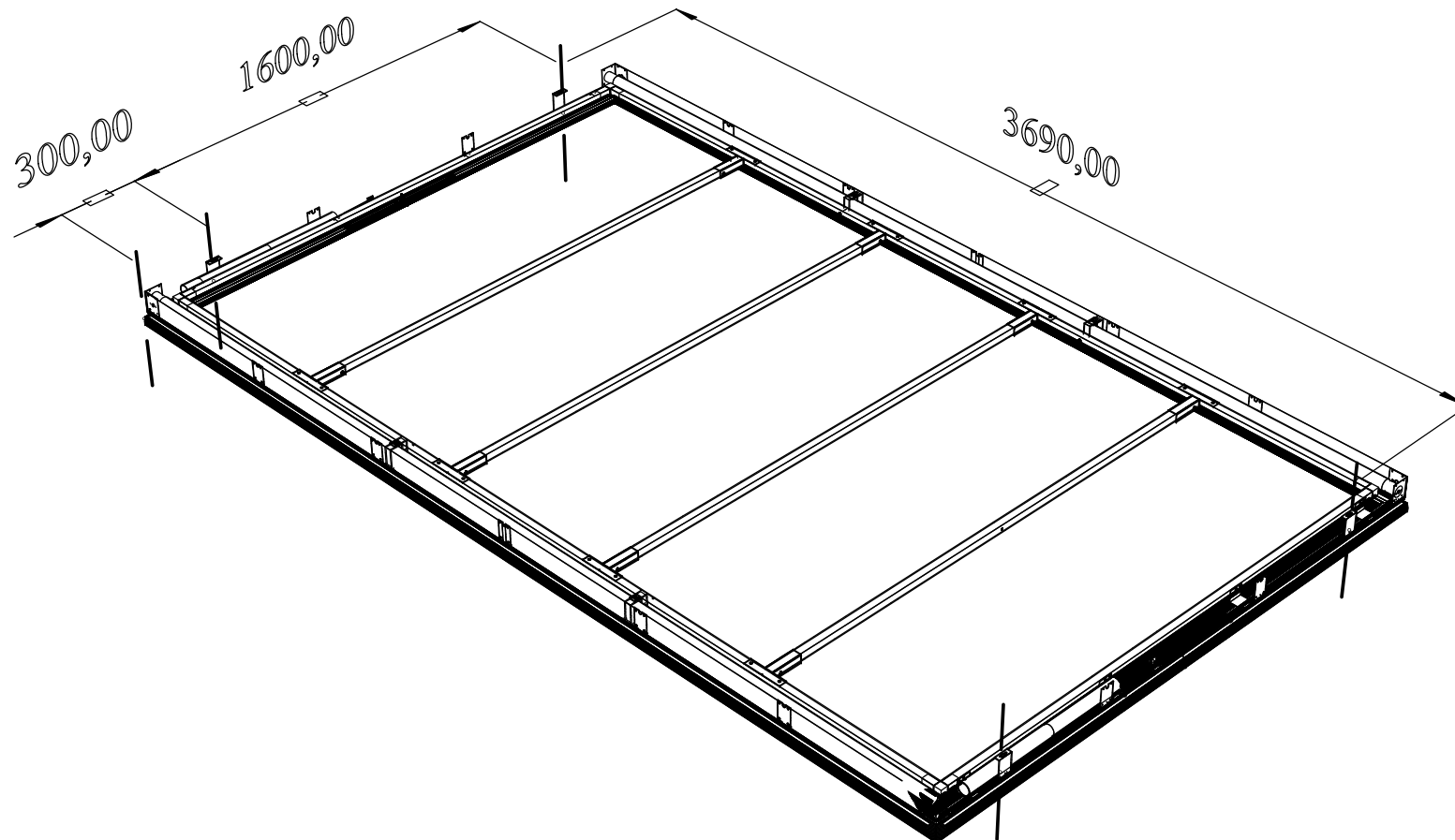
Take off the 2 temporary stiffening

Place the 2 PVC tube with the weight at the right place

Check the string on the pulley



Place the 2 vertical flanges at the right place and to fix use black screws (6 x 3.5)



Your screen is ready to be installed